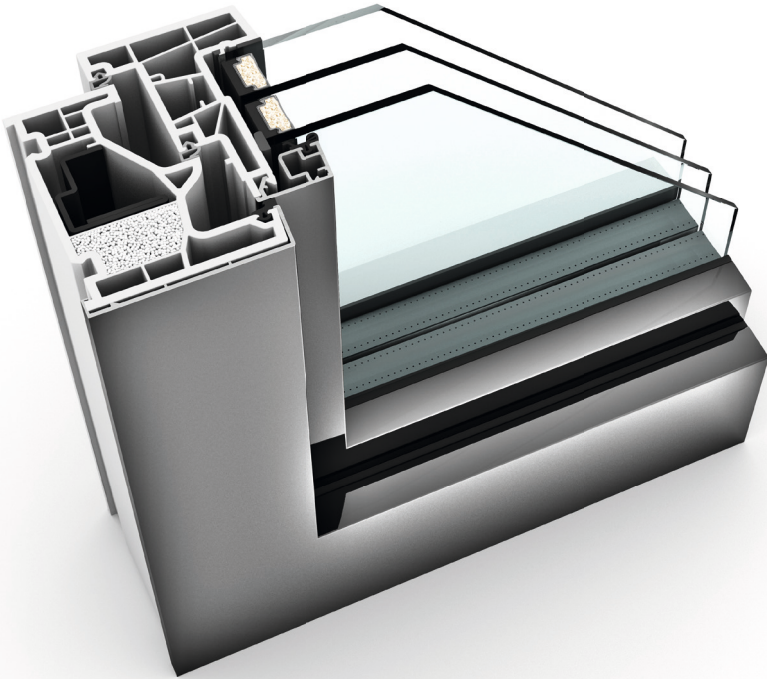





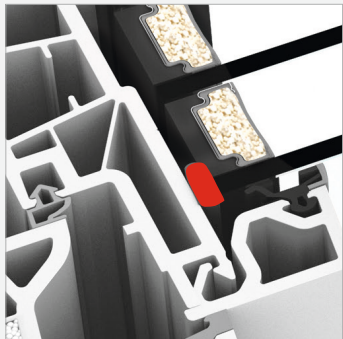
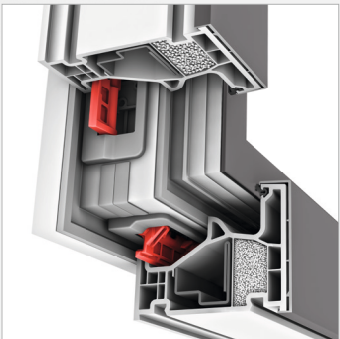
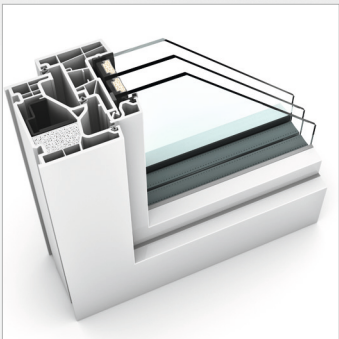


KF 510 UPVC & UPVC-ALUMINIUM WINDOW



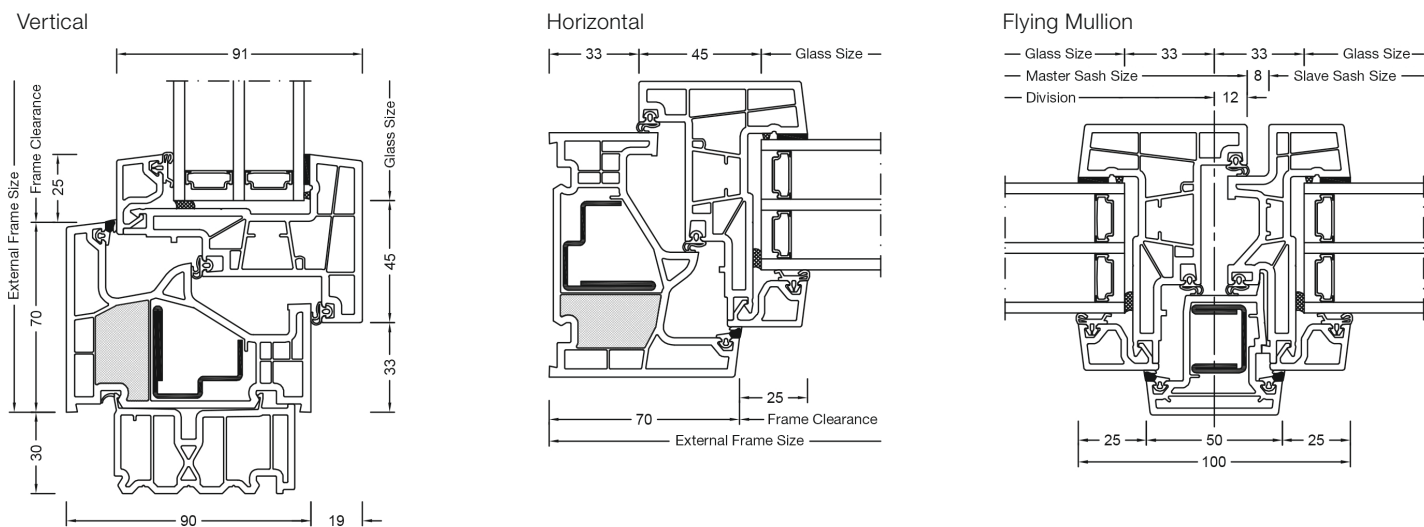
	Thermal insulation	U_w as low as 0.63 W/(m ² K)
	Noise reduction	up to 46 dB
	Security	RC2, RC3
	Locking	fully integrated
	Construction depth	90/93 mm

- I-tec Glazing**
- I-tec Insulation**
- I-tec Secure**



KF 510
 The particularly slim and modern frame of the KF 510 results in an even larger area of glazing to allow maximum light transmission and improved living. The fully integrated I-tec Secure system provides enhanced security thanks to the patented flap mechanism, which presses into all four sides of the frame when locking, making it virtually impossible to lever the window. The concealed hardware also makes it easy to clean, and combined with I-tec Insulation and I-tec Glazing, the new KF 510 offers the ideal window solution.

Sections



Values

System	Glass build up	GC	Spacer	Coating	Ug	g	Uf	Psi	Uw	Thermal cert.	Rw	C	Ctr	Sound cert.
KF 510 uPVC	4b/18Ar/4/18Ar/b4	3N2	Iso	ECLAZ	0,5	60%	0,95	0,034	0,71	YES	34	-2	-5	YES
			Alu	ECLAZ	0,5	60%	0,95	0,080	0,82	YES	34	-2	-5	YES
	22b.2(VSG)16Ar/4/18Ar/b22.2(VSG)	3GW	Iso	ECLAZ	0,5	57%	0,95	0,034	0,71	YES	38	-4	-9	YES
			Alu	ECLAZ	0,5	57%	0,95	0,080	0,82	YES	38	-4	-9	YES
	6b/18Ar/4/16Ar/b4	33U	Iso	ECLAZ	0,5	59%	0,95	0,034	0,71	YES	39	-2	-6	YES
			Alu	ECLAZ	0,5	59%	0,95	0,080	0,82	YES	39	-2	-6	YES
	4b/16Ar/4/15Ar/ b44.2(VSG-S)	34N	Iso	ECLAZ	0,6	60%	0,95	0,034	0,78	YES	41	-2	-8	YES
			Alu	ECLAZ	0,6	60%	0,95	0,080	0,90	YES	41	-2	-8	YES
	6b/15Ar/4/14Ar/ b44.2(VSG-S)	34P	Iso	ECLAZ	0,6	59%	0,95	0,034	0,78	YES	43	-2	-7	YES
			Alu	ECLAZ	0,6	59%	0,95	0,080	0,90	YES	43	-2	-7	YES
	44b.2(VSG-S)/15Ar/4/12Ar/b44.2(VSG-S)	3FH	Iso	ECLAZ	0,6	55%	0,95	0,034	0,78	YES	46	-2	-7	YES
			Alu	ECLAZ	0,6	55%	0,95	0,080	0,90	YES	46	-2	-7	YES

System	Glass build up	GC	Spacer	Coating	Ug	g	Uf	Psi	Uw	Thermal cert.	Rw	C	Ctr	Sound cert.
KF 510 uPVC-Aluminium	4b/18Ar/4/18Ar/b4	3N2	Iso	ECLAZ	0,5	60%	0,99	0,035	0,72	YES	34	-2	-5	YES
			Alu	ECLAZ	0,5	60%	0,99	0,086	0,85	YES	34	-2	-5	YES
	22b.2(VSG)16Ar/4/18Ar/b22.2(VSG)	3GW	Iso	ECLAZ	0,5	57%	0,99	0,035	0,72	YES	38	-4	-9	YES
			Alu	ECLAZ	0,5	57%	0,99	0,086	0,85	YES	38	-4	-9	YES
	6b/18Ar/4/16Ar/b4	33U	Iso	ECLAZ	0,5	59%	0,99	0,035	0,72	YES	39	-2	-6	YES
			Alu	ECLAZ	0,5	59%	0,99	0,086	0,85	YES	39	-2	-6	YES
	4b/16Ar/4/15Ar/ b44.2(VSG-S)	34N	Iso	ECLAZ	0,6	60%	0,99	0,035	0,79	YES	41	-2	-8	YES
			Alu	ECLAZ	0,6	60%	0,99	0,086	0,92	YES	41	-2	-8	YES
	6b/15Ar/4/14Ar/ b44.2(VSG-S)	34P	Iso	ECLAZ	0,6	59%	0,99	0,035	0,79	YES	43	-2	-7	YES
			Alu	ECLAZ	0,6	59%	0,99	0,086	0,92	YES	43	-2	-7	YES
	44b.2(VSG-S)/15Ar/4/12Ar/b44.2(VSG-S)	3FH	Iso	ECLAZ	0,6	55%	0,99	0,035	0,79	YES	46	-2	-7	YES
			Alu	ECLAZ	0,6	55%	0,99	0,086	0,92	YES	46	-2	-7	YES

ECLAZ® – Enjoy the many benefits of the Internorm **ECLAZ® Premium Coating**

More light & transparency

- The special coating allows more daylight to enter the interior, therefore making it brighter and friendlier.
- Enjoy a clearer view of the outside. The external reflection or mirror effect is also low and the glass is colour-neutral from the outside.

Halogen bulbs, fluorescent tubes and LEDs lack these important light frequencies. ECLAZ® floods the house with daylight.

- 77% more light transmission of triple glazing with ECLAZ® helps to boost health and well-being, especially in the darker autumn and winter months.

Improved health & productivity

- ECLAZ® helps to regulate your inner balance. Blue light from the sun helps to regulate your natural sleep and wake cycle, elevate moods and increase the feeling of well being.
- It also helps to boost alertness, improve productivity and learning.

Better energy efficiency & higher cost savings

- Less heat loss: ECLAZ® provides excellent thermal insulation, therefore reducing heating costs.
- Greater energy savings: 60% improvement in solar gain with triple glazing resulting in lower heating costs and higher energy efficiency.

Increased happiness & well-being

- Daylight has a balanced light spectrum and regulates the serotonin balance, which is responsible for well-being and life energy.

Get more as standard

- ECLAZ® is fitted as standard in every Internorm window.
- No additional costs. You enjoy the benefits of this premium glass coating without having to pay more.

Internorm Fenster GmbH

A-4050 Traun
Ganglgutstraße 131
T +43 (7229) 770-0
office@internorm.com

Internorm Windows UK Ltd

Unit D, Colindale Business Park
2-10 Carlisle Road, NW9 0HN, London
Tel.: +44 (0) 208 205 9991
Email: office@internorm.co.uk

3/2022

uk.internorm.com
commercial.internorm.com