





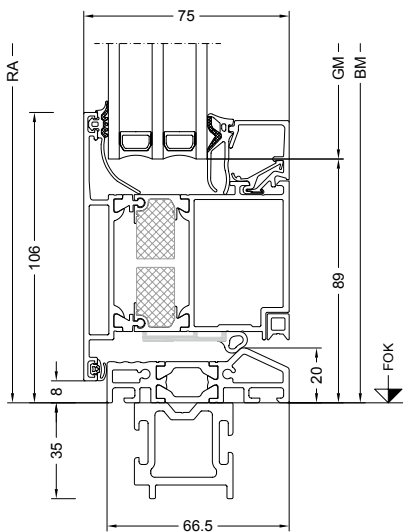
AT 075 ALUMINIUM ENTRANCE DOOR EMERGENCY EXIT/PANIC DOOR ACCORDING TO EN 179 AND EN 1125



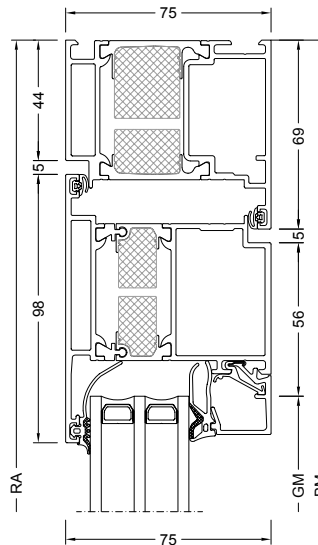
	Thermal insulation	U_b as low as 1.1 W/(m ² K)
	Noise reduction	up to 43 dB
	Locking	Multi-point locking
	Construction depth	75 mm

Diagram

Section - bottom



Side section - top



Further entrance door options can be found in the Door Designer:



Internorm Fenster GmbH

A-4050 Traun
Ganglgutstraße 131
T +43 (7229) 770-0
office@internorm.com

Internorm Windows UK Ltd

Unit D, Colindale Business Park
2-10 Carlisle Road, NW9 0HN, London
Tel.: +44 (0) 208 205 9991
Email: office@internorm.co.uk

3/2022

uk.internorm.com
commercial.internorm.com